

## 12W Constant Voltage-LS Series

EIP012VXXXXLSS



■ Approve



### ■ Features

- Class II, SELV, independent
- Input Voltage 220-240VAC
- Protections: SCP/OLP/OVP
- Power Factor 0.5
- Efficiency ≥82%
- 5 years warranty

### ■ Applications

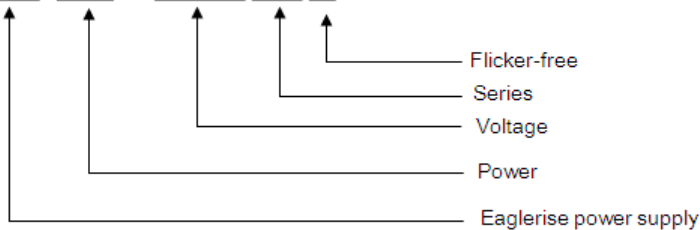
- LED strips
- Pendant light

### ■ Description

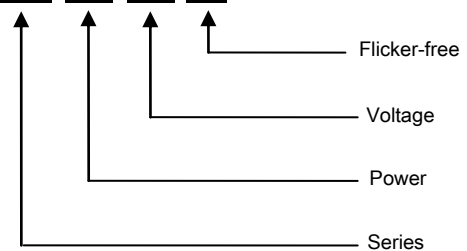
EIP012VXXXXLSS (LS-12-XX SI) is a 12W constant voltage LED driver that operates from 176-264Vac input with 12V or 24V output voltage. With its compact dimensions from 100 x 42x 24.5mm it is easy to integrate in LED strips and pendant light products. To ensure trouble-free operation, protection is provided against output short circuit and over Load.

### ■ Model code

EIP012V0120LSS



LS-12-12 SI



## 12W Constant Voltage-LS Series

EIP012VXXXLSS

### ■ Specification

Input	Rated input voltage	220-240VAC	
	Range of input voltage	176-264VAC	
	Frequency(Hz)	50/60 Hz	
	Power Factor	0.5±0.05@220-240VAC	
	Input Current max	0.18A MAX. @Full Load,176VAC	
	Start-up time	< 0.5S	
	Unload Power Consumption	≤0.3W	
	Inrush Current	20A Max.	
	Leakage Current	< 0.5mA(240VAC)	
Output	Constant Voltage	12VDC	24VDC
	Current Range	0-1A	0-0.5A
	Rated power	12W Max.	
	Voltage Accuracy	±5%	
	Voltage Regulation	±1% @Full Load	
	Load Regulation	±3%	
	Hold-up Time	1s max.@Full Load	
	Ripple& Noise *Note.2	≤200mV@Full Load,240VAC	≤240mV@Full Load,240VAC
	Efficiency(Typ.)	≥82%	
Protection	Over Load Protection	105-150% Protection type: Auto Resume	
	Over Voltage Protection	> 12.6VDC	> 25.2VDC Protection type: Auto Resume
	Short circuit Protection	Protection type: Auto Resume	
	Over Temperature protection	NA	
Environment	Operating Temperature	-10°C...+45°C	
	tc	80°C	
	Storage Temperature	-20°C...+60°C	
	Life time	> 30,000h@45°C	
	Temperature coefficient	±0.03%/°C(0-45°C)	
	Humidity	10%-90%RH	
Others	Dimension	100X42X24.5(LXWXH)mm	
	Weight	0.087kg/PC	
Safety & EMC	Safety standards	EN 61347-1; EN61347-2-13; EN62493	
	Withstand voltage	Input-Output : 3750V/5mA/1min	
	Isolation resistance	Input-Output : ≥4MΩ@500VDC	
	EMI	EN55015; EN61000-3-2 Class A; EN61000-3-3	
	EMS	EN 61547; EN 61000-4-2; EN 61000-4-5 —1000V;	
Note	1.All parameters NOT specially mentioned are measured at 240VAC input , full load and 25°C of ambient temperature. 2.Ripple & Noise are measured at 20MHz of bandwidth by using a 300mm twisted pair-wire terminated with a 0.1uF & 47 uF parallel capacitor.		

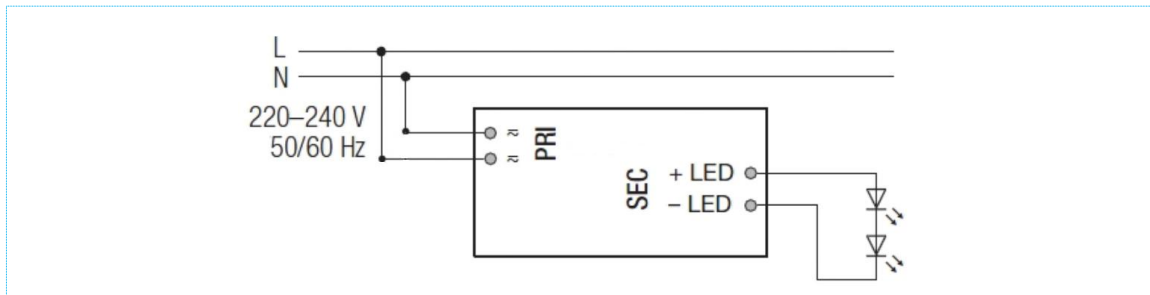
## 12W Constant Voltage-LS Series

EIP012VXXXLSS

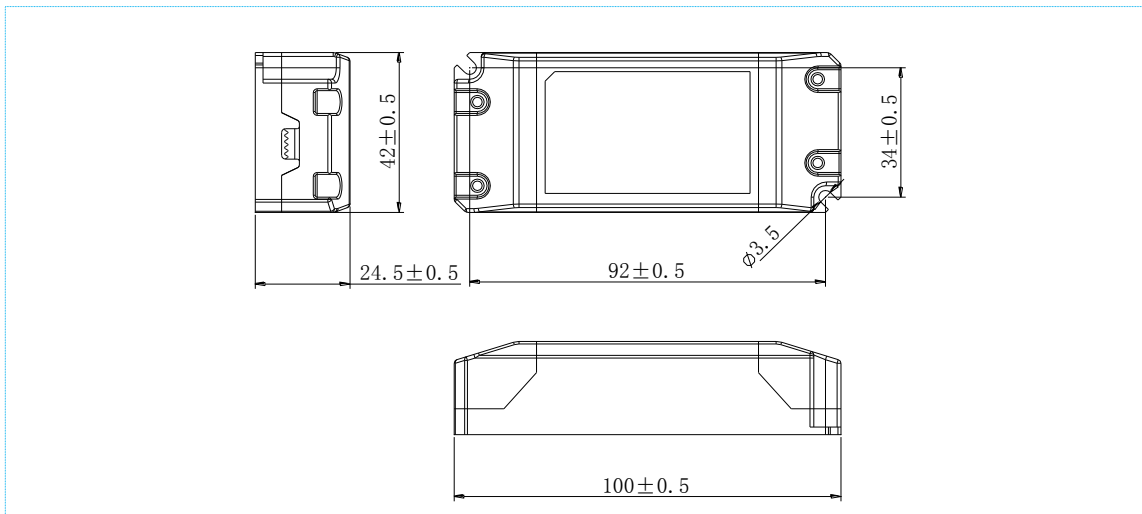
### ■ Ordering data

Type	Pcs/Ctn	G.W.(KG/Gtn)	N.W.(KG/Gtn)	Dimension /Ctn (mm)
EIP012VXXXLSS	112	10.3	9.744	410x320x180

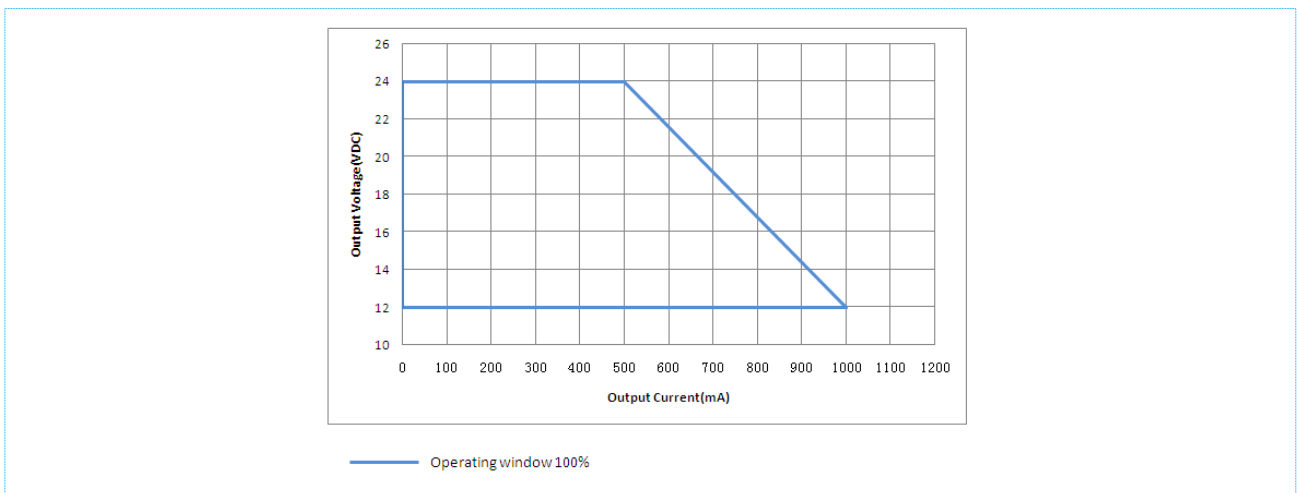
### ■ Connection diagram



### ■ 2D diagram



### ■ Operating window



## 12W Constant Voltage-LS Series

EIP012VXXXXLSS

### ■ Revision Updates

ITEM	BEFORE	AFTER	VERSION	DATE
Initial			1.0.0	2018-9-10